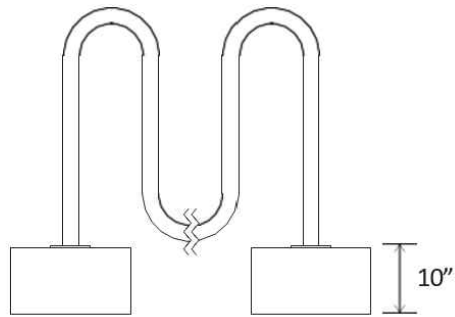
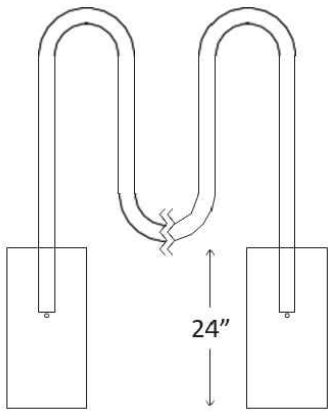
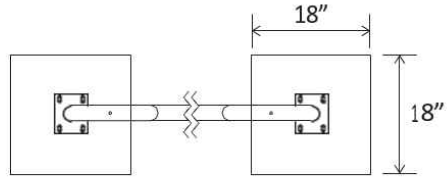
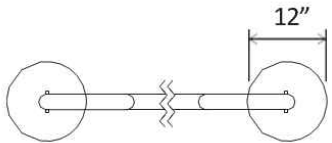
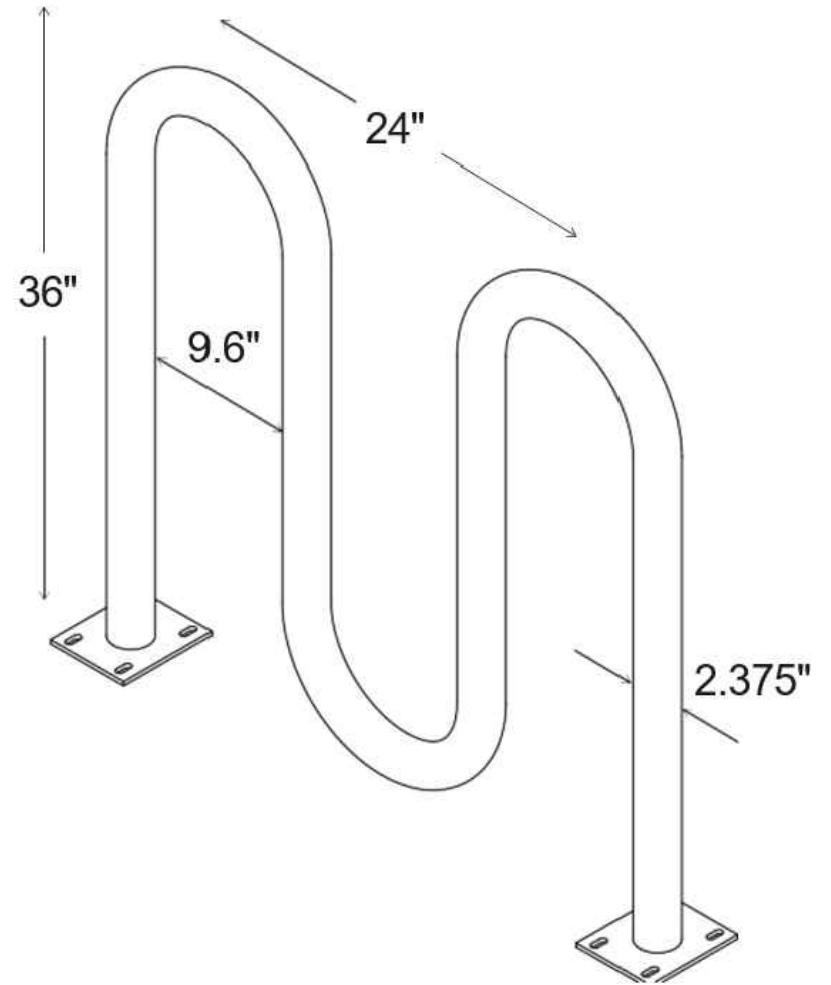


In-Ground Mount

Surface Mount



(or standard 4" sidewalk slab)



Capacity	5, 7, 9, or 11 Bikes
Materials	2.0" schedule 40 pipe (2.375" OD)
Finishes	<input type="checkbox"/> Galvanized <input type="checkbox"/> Powder Coat
Powder Coat Color:	
Mount Options	<input type="checkbox"/> Surface <input type="checkbox"/> In-Ground

CONTACT INFORMATION
509-714-5715 tcocchiarella@relladesignllc.com

RELLA DESIGN LLC
BIKE RACK

WWW.RELLADESIGNLLC.COM

RD - LOOP STYLE